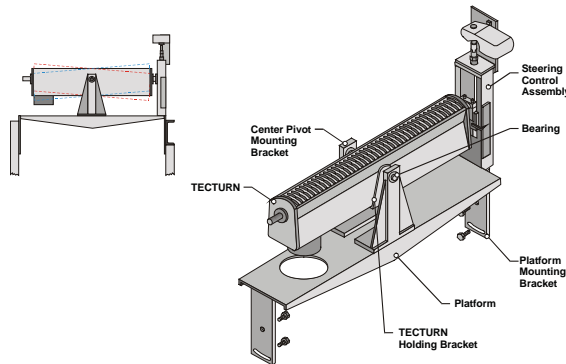




Center Pivot Modification

For TECTURN Contactless Web Turning



New features with upgrade:

- ➔ Increased productivity from presses with reduced risk of web breaks.
- ➔ Improved web control during tension upsets such as blanket washing, splicing, or press acceleration.
- ➔ Faster correction of web drift. Designed with web symmetry in mind, exerting less strain on the web edge during large corrections.
- ➔ Compatible with all original steering control assemblies, with minor modifications.
- ➔ Keeps wrap angles within limits between top 95 and center pivot TECTURN resulting in less web flutter.
- ➔ Rigid, easy to install bracketry with built-in wrap-angle adjustability, designed to accommodate most press configurations.

The upgrade kit comprises:

- ➔ Center pivoting steering control assembly.
- ➔ All mounting hardware shown.
- ➔ Instructions for mechanical installation.
- ➔ Electrical installation instruction and schematics.
- ➔ Kit does not include mid-shallow wrap TECTURN bar

***In order to help us offer you the correct upgrade kit for your machine, please supply the following information: Machine type • Serial number • Manufacturing year**

For further information, availability, please contact your nearest MEGTEC office by visiting www.megtec.com and click on parts and upgrades or email to info@megtec.com.