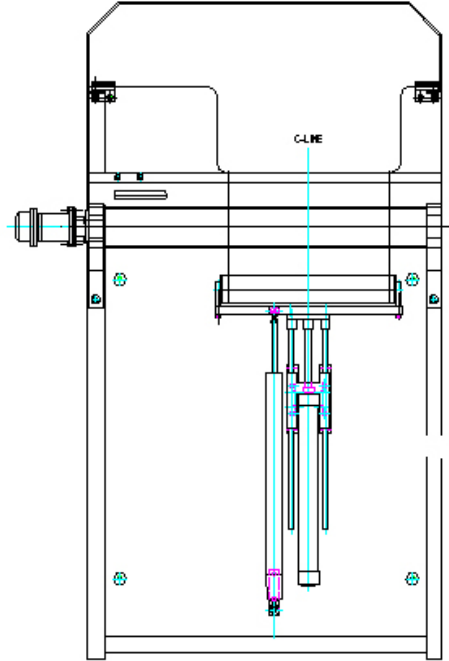
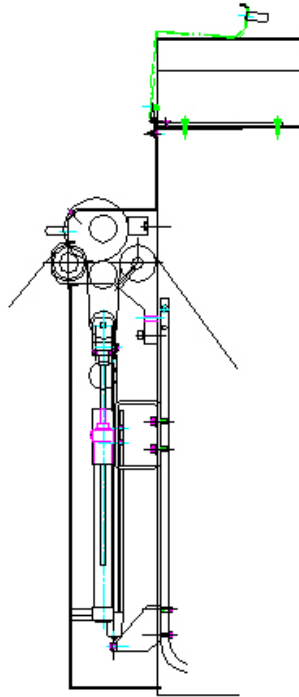


Upgrade Kit -from Load Cell to Dancer Regulation for AMAL Model: RWCL



New features with upgrade:

- ➔ Major improvement of tension control
- ➔ Faster reaction time
- ➔ Less maintenance
- ➔ Better functionality

The upgrade kit comprises:

- ➔ Complete kit with dancer, brackets, EP valve etc
- ➔ Upgrade by MEGTEC technician on-site
- ➔ A general check of electrical and mechanical parts involved
- ➔ Production support
- ➔ Operator training

***In order to help us offer you the correct upgrade kit for your machine, please supply the following information: Machine type • Serial number • Manufacturing year**

For further information, availability, please contact your nearest MEGTEC office by visiting www.megtec.com and click on parts and upgrades or email to info@megtec.com.